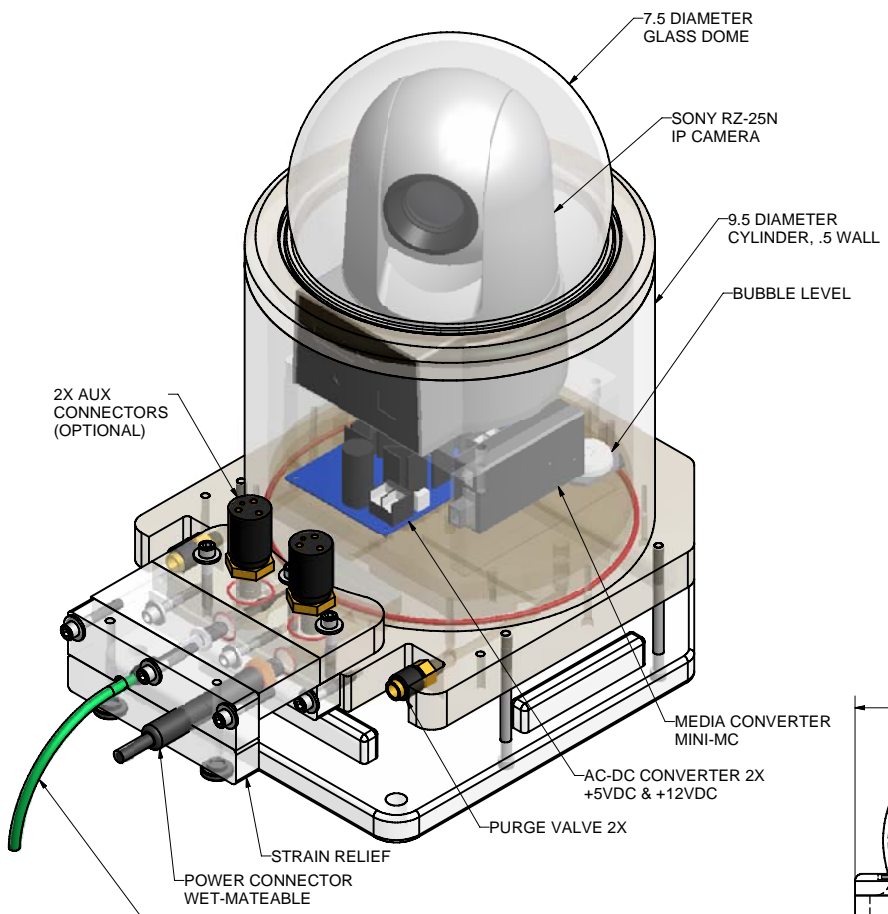
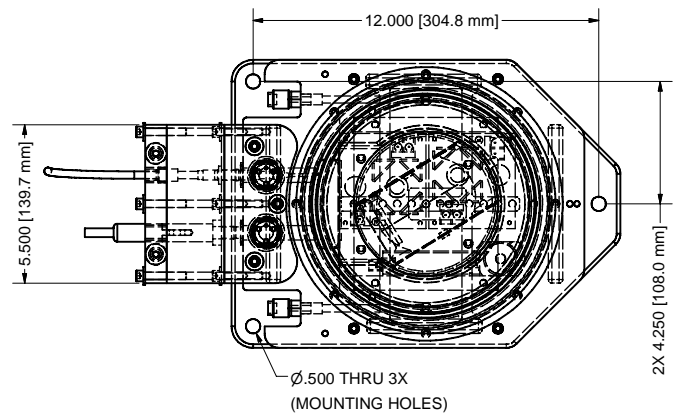


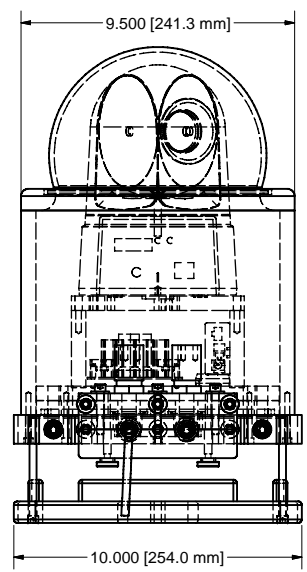
REV	DESCRIPTION	DATE	CHECK'D	APPR'V'D
0	SECOND GENERATION DESIGN	3/4/2006	KS	



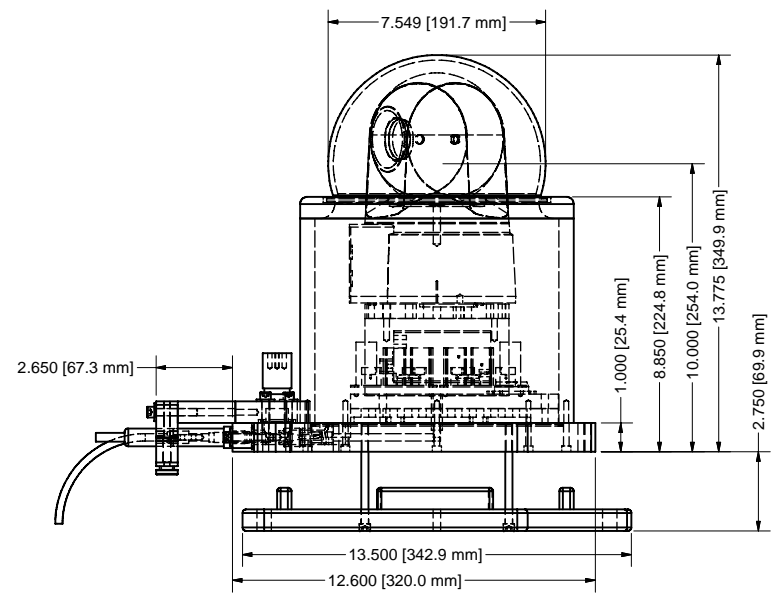
REAR ISO VIEW



TOP VIEW



REAR VIEW



SIDE VIEW

ELECTRONIC DOCUMENT DO NOT ACCEPT MANUAL CHANGES STATEMENT OF CONFIDENTIALITY THIS DOCUMENT IS THE PROPERTY OF THE SEXTON COMPANY LLC. IT IS ISSUED IN STRICT CONFIDENCE AND SHALL NOT BE REPRODUCED, COPIED OR USED AS THE BASIS FOR THE MANUFACTURE OR SALE OF APPARATUS WITHOUT PRIOR WRITTEN PERMISSION.	UNLESS OTHERWISE SPECIFIED DIMENSIONS ARE IN INCHES TOLERANCES ARE: LINEAR X.X = ± .03 X.XX = ± .02 X.XXX = ± .010 ANGULAR X.X° = ± 1' X.XX° = ± .5' SURFACE FINISH 63/√	DRAWN K. SEXTON	DATE 3/4/2006	THE SEXTON COMPANY LLC <small>860 E STREET NE, SALEM, OR 97301 V. 503-371-6239 F. 503-371-0994</small> MANTACAM-2B MANTA NETWORK	CHECKED K. SEXTON	DATE 3/4/2006	SIZE C	THIRD ANGLE PROJECTION 	DWG NO. 151003	REV 0
		DESIGN ENG. K. SEXTON	DATE 3/4/2006		MFG. ENG. K. SEXTON	DATE 3/4/2006	DIMENSIONS & TOLERANCES PER ANSI Y14.5M-1994	DO NOT SCALE DRAWING	SHEET 1 OF 1	